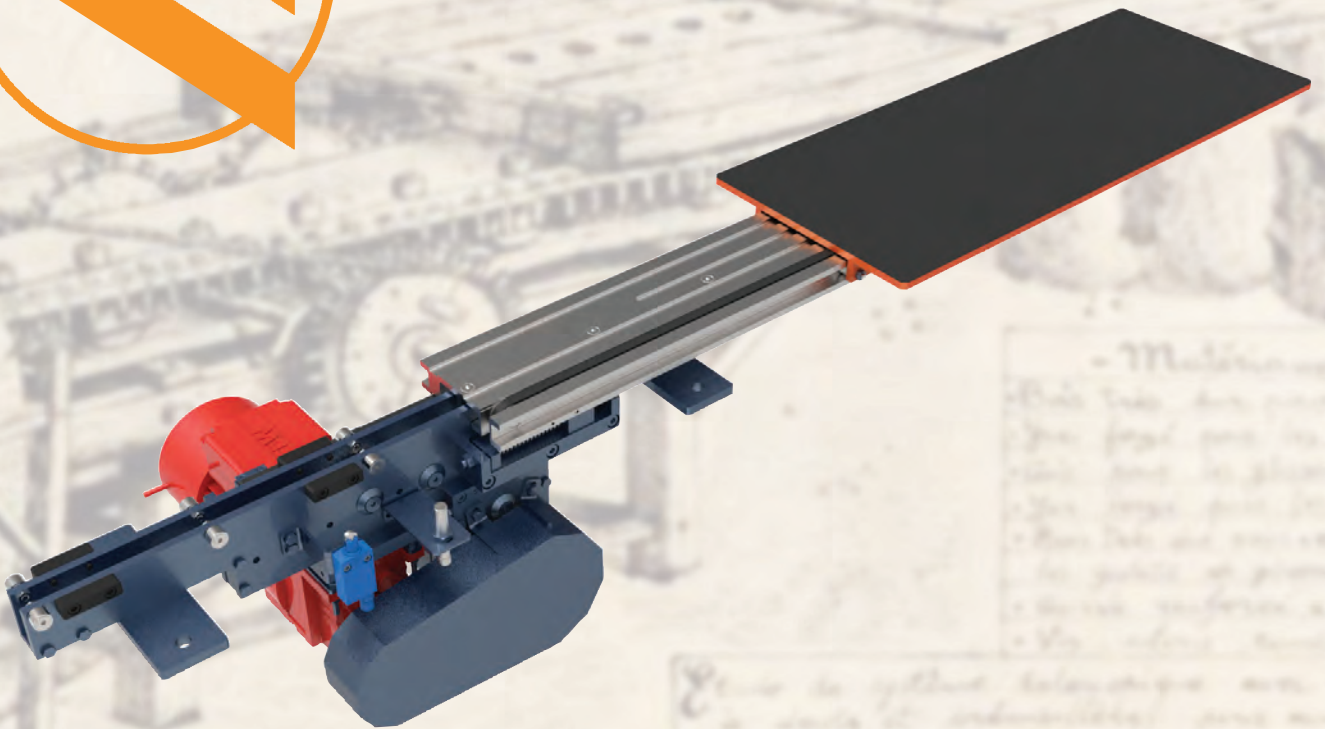



LFD[®]

LOAD HANDLING DEVICES



ARES 40



2019-A4-02 



ARES 40



The ARES 40 fork is designed to handle loads with limited weight, especially where a small size ratio is required.

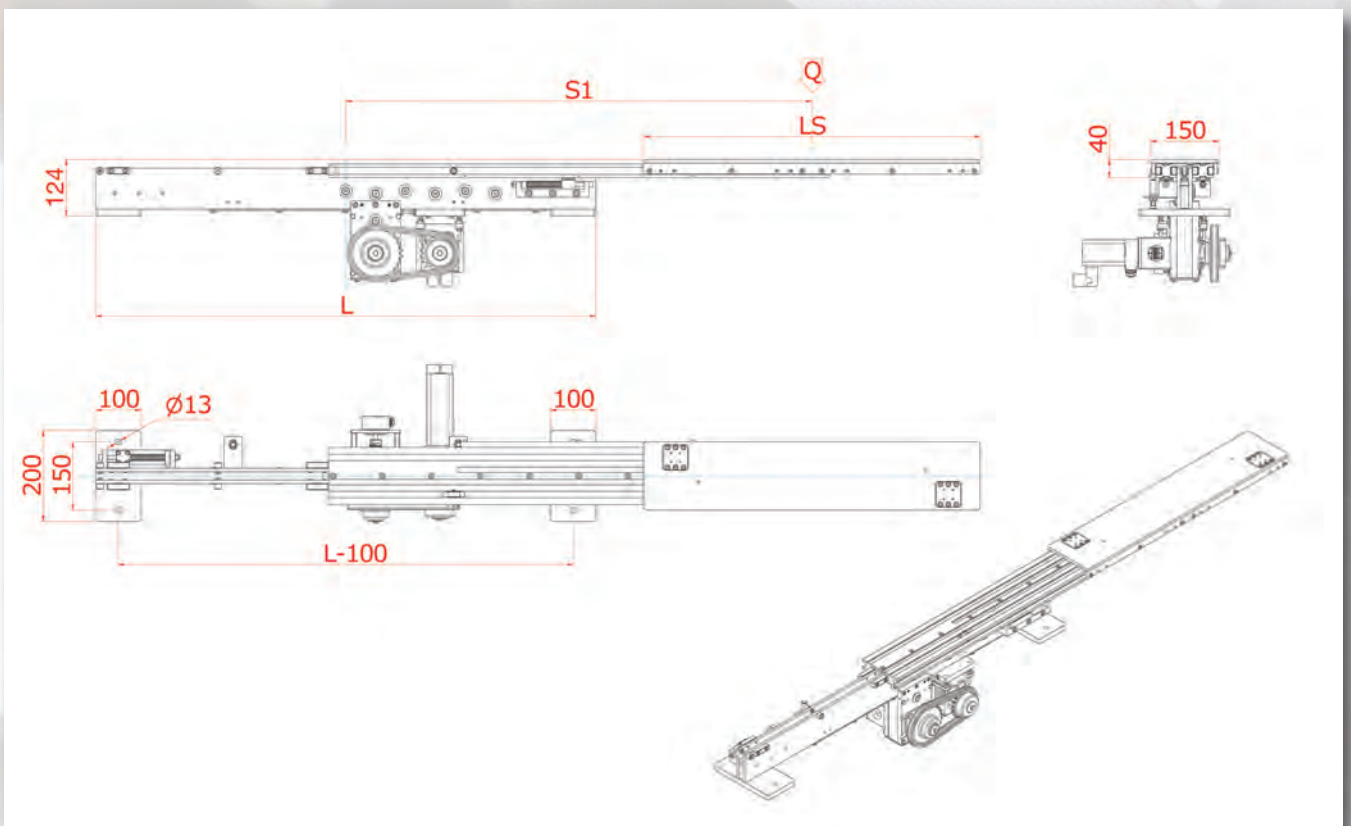
Belts and pulleys provide the movement.

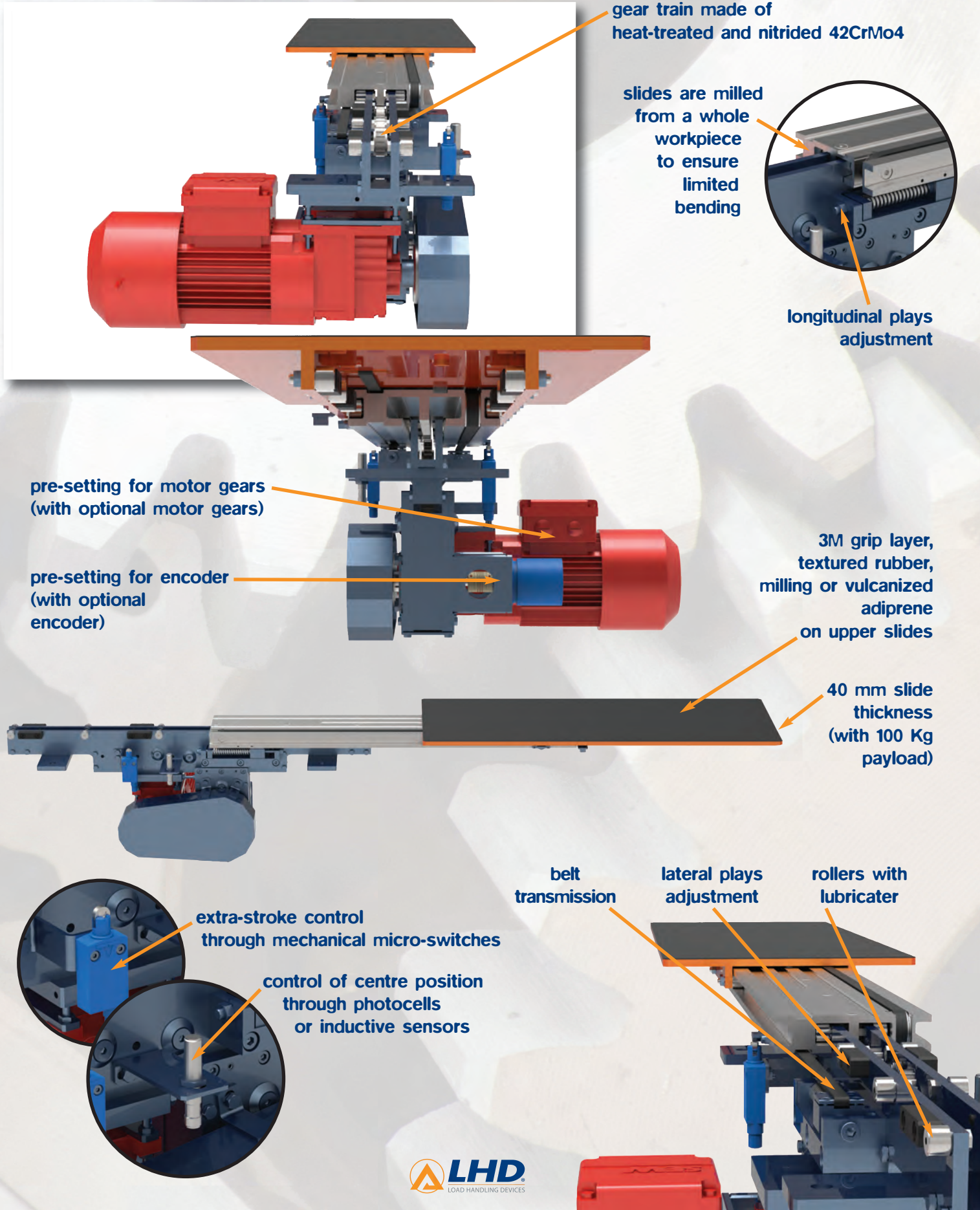
This kind of telescopic fork achieves remarkable performances as for top speed and acceleration.

The fixed body consists of parts made of a steel/aluminium compound; hence, the total weight of the device is limited.

| PRODUCT CODE | Q LOAD (KG) | L FIXED BODY LENGTH (MM) | Ls UPPER SLIDE LENGTH (MM) | S1 STROKE (MM) | MAX BENDING UNDER LOAD (MM) |
|--------------|-------------|--------------------------|----------------------------|----------------|-----------------------------|
| AR40-065 | 100 | 650 | 650 | 750 | 7 |
| AR40-070 | | 700 | 700 | 800 | 8 |
| AR40-080 | | 800 | 800 | 900 | 9 |
| AR40-100 | | 1000 | 1000 | 1100 | 14 |
| AR40-120 | | 1200 | 1200 | 1300 | 22 |
| AR40-125 | | 1250 | 1250 | 1350 | 24 |
| AR40-145 | 80 | 1450 | 1450 | 1550 | 31 |

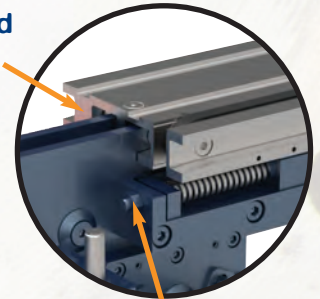
The ARES 40 is recommended as single fork with a larger plate installed on top.





gear train made of heat-treated and nitrided 42CrMo4

slides are milled from a whole workpiece to ensure limited bending



longitudinal plays adjustment

pre-setting for motor gears (with optional motor gears)

pre-setting for encoder (with optional encoder)

3M grip layer, textured rubber, milling or vulcanized adiprene on upper slides

40 mm slide thickness (with 100 Kg payload)

belt transmission

lateral plays adjustment

rollers with lubricater

extra-stroke control through mechanical micro-switches

control of centre position through photocells or inductive sensors



follow us on



HeadQuarter - LHD S.p.A.
Europe production site

Mr. Giuliano Rivoir
Mobile +39 345 187 9559
Phone/Fax +39 011 908 62 70
g.rivoir@lhd.co.com
info@lhd.co.com
Via Piossasco-Rivalta 30-32
10090 Bruino (TO), Italy
Skype LHD SpA

LHD China/太仓艾拉德
Taicang LHD Co., Ltd.
China production site

Mr. Wenbao Zheng/郑文保
No. 68, East Luoyang Road,
Taicang Economic
Development Area,
215400 Taicang,
Jiangsu, China
Mobile/手机 +86 159 3411 99 19
Phone/座机 +86 (0)512 53 547 892
wenbao.zheng@lhd.co.com

Managing Director

Mr. Daniele Ribetto
Mobile +39 346 727 46 78
d.ribetto@lhd.co.com

LHD Deutschland
Österreich & Schweiz

Mr. Silvano Griot
Mobile +39 391 763 55 79
s.griot@lhd.co.com

LHD Western Europe

Mr. Jacopo Trivero
Mobile +39 391 350 64 30
j.trivero@lhd.co.com

LHD Thailand

Mr. Teeradon Anumas
Master Automation Co., Ltd.
Phra Nakhon Si Ayutthaya, Thailand
Mobile +66 8 5516 2777
teeradon.anumas@ma-thailand.com

LHD South Korea

Mr. Ryang Park
G&S Seojin Co., Ltd.
Seoul, South Korea
Mobile +82 10 2951 4960
Phone +82 2 717 7686
rpark@gs-seojin.com

LHD South East Asia

Mr. Roger Chen/陈雁
Mobile/手机 +86 133-0622-8955
Phone/座机 +86 (0)512-53-837-823
roger.chen@lhd.co.com

LHD India

Mr. Mahmood Haider
Noida, New Delhi, India
Mobile +91 98910 98818
m.haider@lhd.co.com

Purchasing

Mr. Davide Gomez
Mobile +39 392 429 61 63
d.gomez@lhd.co.com